



## Low Cost Submersion and In-Line pH and ORP Electrodes



**S260 Series Ryton Sensors**

---

Economical design for in-line or submersion use

---

Choose from single or double junction models

---

Threaded 1/2" or 3/4" NPT connections

---

Choose from spherical or flat pH measuring surfaces

---

High purity platinum on ORP models

---

Special models for low ionic and other specialty applications available

---



**S222 series Quick Disconnect Models**

This series of electrodes are designed to provide an economical multi-purpose solution for in-line or submersion pH or ORP measurements. Based on our proven S200C and S500C-ORP technology, these rugged and durable electrodes are available in PVC, Ryton and other material nipples with 1/2" or 3/4" NPT threads; or in our durable epoxy body with or without quick disconnect top caps. Choose from single or double junction designs, flat or recessed measuring surfaces, pH or ORP configurations and cable lengths and connectors as required. For special configurations such as low ionic models, fluoride resistant pH glass and other specialty sensors, please contact the Sensorex sales or technical support department.



**S220 Series Sensors**



# Low Cost Submersion and In-Line pH and ORP Electrodes

Designed to provide an economical multi-purpose solution for in-line or submersion pH or ORP measurements.

## Specifications

Measuring Range	0-14 pH (+/-2000 mV for ORP models)
Body material	PVC, Ryton, CPVC, Polypropylene, epoxy
Max Temperature	65 - 100 Degrees C depending on model (PVC models rated to 65C only)
Max Pressure	100 psig
Connector	BNC (other connectors available for an additional charge)
Cable length	30" or longer lengths at additional cost user specified, (Cap-cable S653 required for S222 Series)
Process Connection	1/2" or 3/4" MNPT for submersion or in-line

## Ordering Information

These economical sensors are submersion and in-line ready by utilizing the 3/4" MNPT threads on the sensor. Ryton body electrodes are rated to 100 degrees C and PVC nipple types are for use up to 65 degrees C. For ORP models add a -ORP to the model numbers below.



Hex PVC Nipple Electrodes

pH Sensors	Nipple	Type
<b>(To order an ORP model instead of pH, simply add - ORP to the model numbers below.)</b>		
S265C	Ryton	Single junction 1/2" NPT spherical style bulb
S265CD	Ryton	Double junction 1/2" NPT spherical style bulb
S267C	Ryton	Single junction 3/4" NPT spherical style bulb
S267CD	Ryton	Double junction 3/4" NPT spherical style bulb
S268CD	Ryton	Double junction 1/2" NPT flat surface style bulb
S269CD	Ryton	Double junction 3/4" NPT flat surface style bulb
S220C	PVC	Single junction 3/4" NPT spherical style bulb
S220CD	PVC	Double junction 3/4" NPT spherical style bulb
S260C	HEX PVC	Single junction 1/2" NPT spherical style bulb
S260CD	HEX PVC	Double junction 1/2" NPT spherical style bulb
S261C	HEX PVC	Single junction 3/4" NPT spherical style bulb
S261CD	HEX PVC	Double junction 3/4" NPT spherical style bulb
S262C	HEX PVC	Single junction 1/2" NPT flat surface style bulb
S262CD	HEX PVC	Double junction 1/2" NPT flat surface style bulb
S263C	HEX PVC	Single junction 3/4" NPT flat surface style bulb
S263CD	HEX PVC	Double junction 3/4" NPT flat surface style bulb



# Low Cost Submersion and In-Line pH and ORP Electrodes Continued

### Ordering Information

These economical sensors can be used for submersion or in-line use. Mounting is accomplished by ordering the appropriate mounting gland listed below.



Mounting glands



Color coded pH buffers

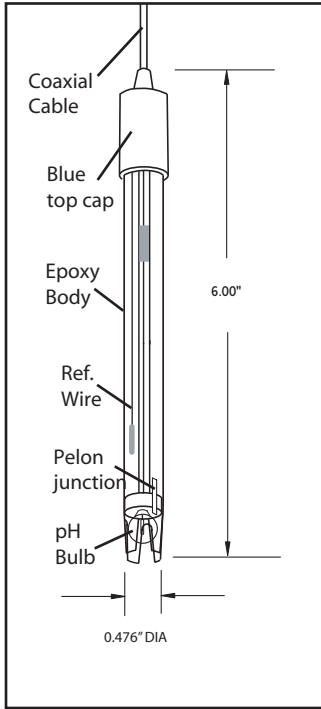


Battery Pre-amp

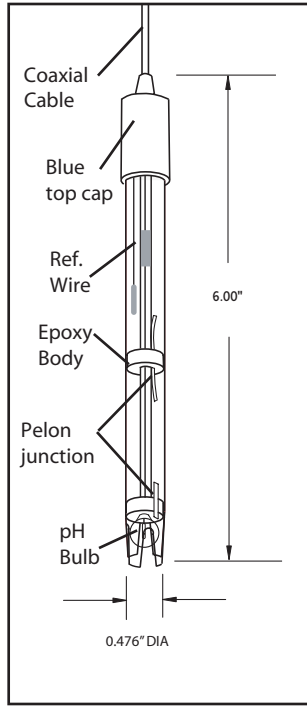
Sensor	Type
S200C	Single junction spherical style bulb
S200CD	Double junction spherical style bulb
S500C-ORP	Single junction ORP
S500CD-ORP	Double junction ORP
S222C	Single junction spherical style bulb-Quick disconnect
S222CD	Double junction spherical style bulb-Quick disconnect
S222C-ORP	Single junction ORP-Quick disconnect
S222CD-ORP	Double junction ORP-Quick disconnect
<b>Accessories</b>	
FC50P	1/2 " NPT mounting gland for 12mm electrodes
FC75P	3/4 " NPT mounting gland for 12mm electrodes
S653	Cap Cable assembly for S222 series (Specify cable length and connector termination when ordering)
PHAMP-1	Battery powered unity gain pH/ORP preamplifier
B104	1 pint 4 pH Buffer
B107	1 Pint 7 pH Buffer
B110	1 Pint 10 pH Buffer

# PRODUCT SPECIFICATION SHEET

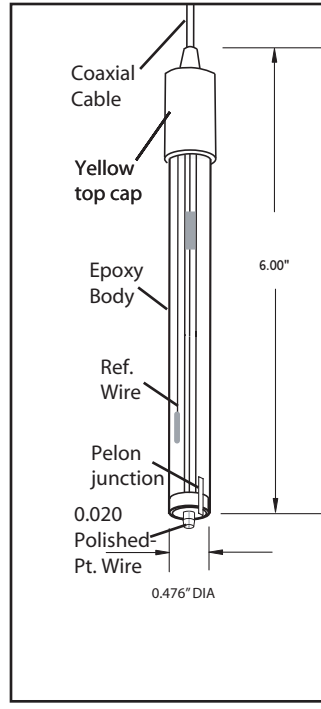
## S200C



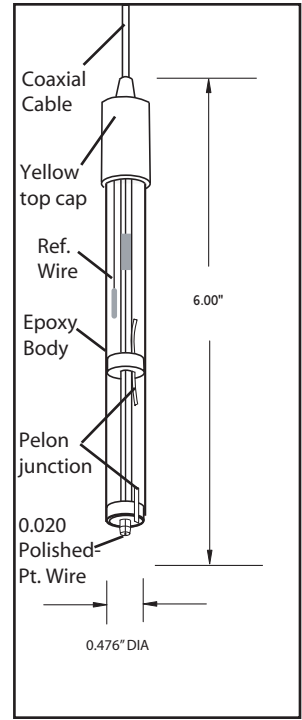
## S200CD



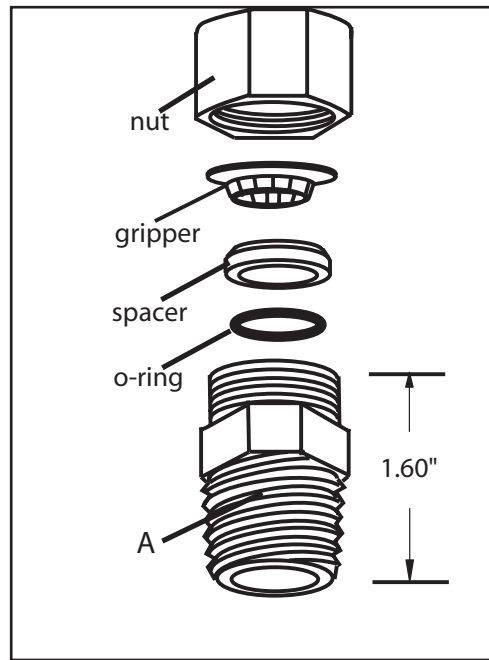
## S500C-ORP



## S500CD-ORP



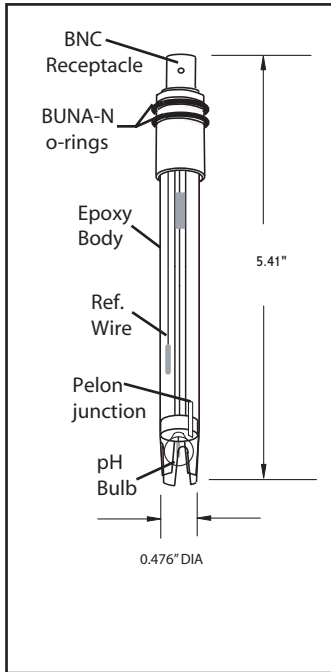
## FC50P and FC75P



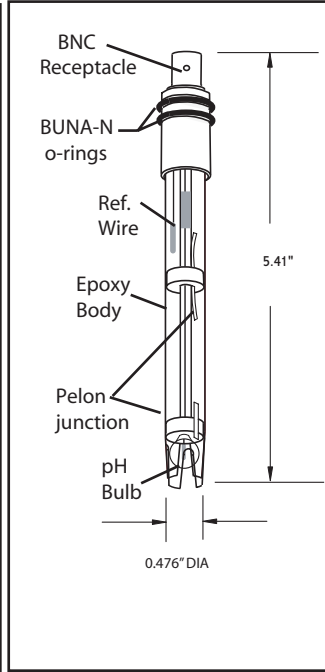
Part No.	Dim. A
FC50P	1/2" NPT
FC75P	3/4" NPT



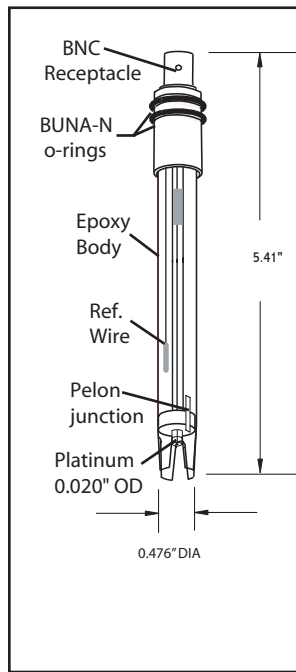
**S222C**



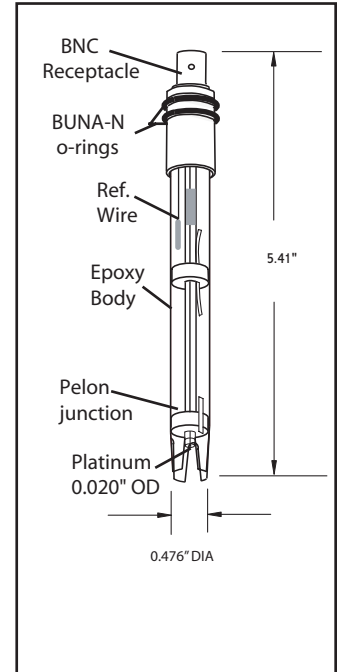
**S222CD**



**S222C-ORP**



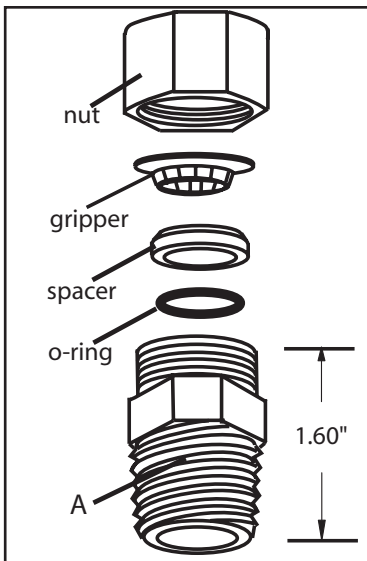
**S222CD-ORP**



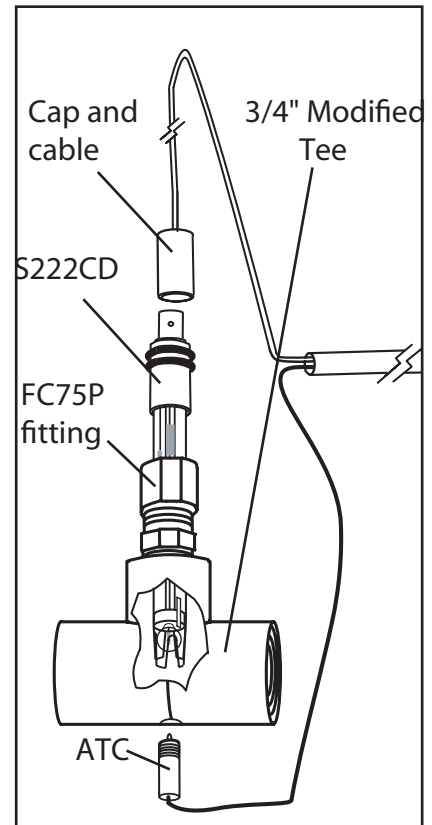
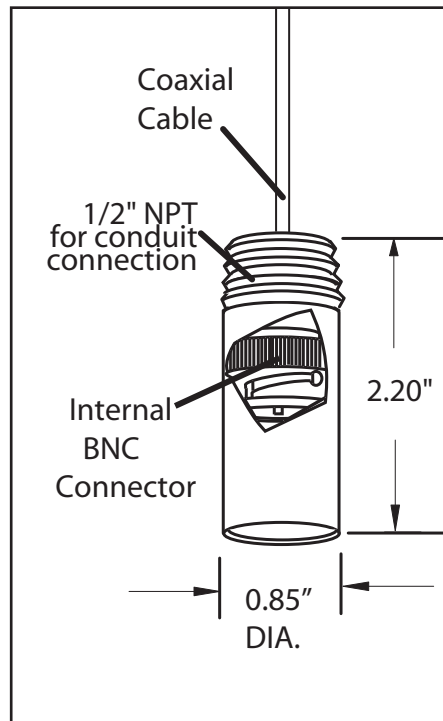
**FC50P and FC75P**

**S653 Cap and Cable for Conduit use**

**FC75TC Installation**

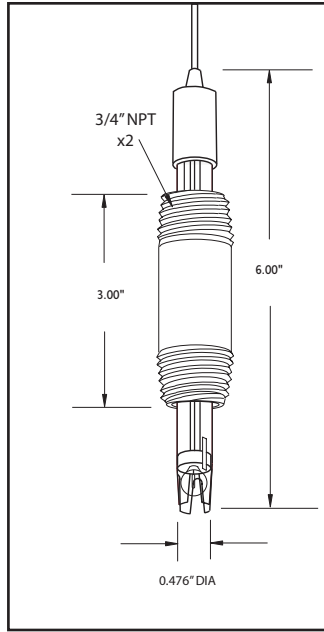


Part No.	Dim. A
FC50P	1/2" NPT
FC75P	3/4" NPT

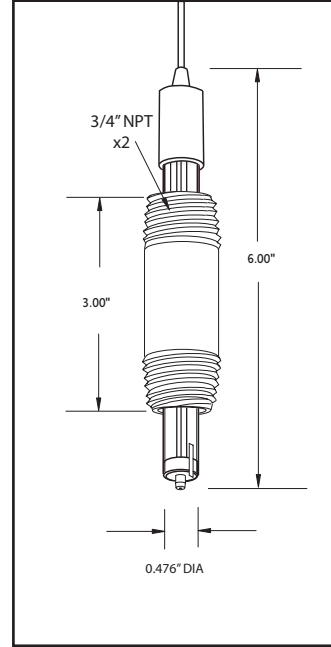


# PRODUCT SPECIFICATION SHEET

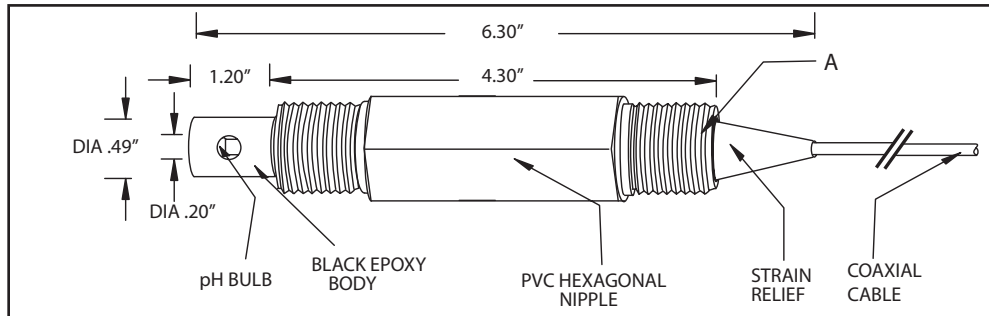
S220C/CD



S520C/CD-ORP

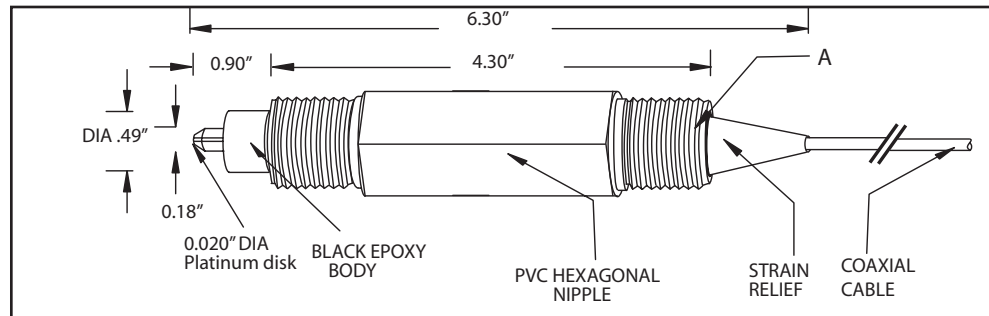


S260C/CD  
S261C/CD



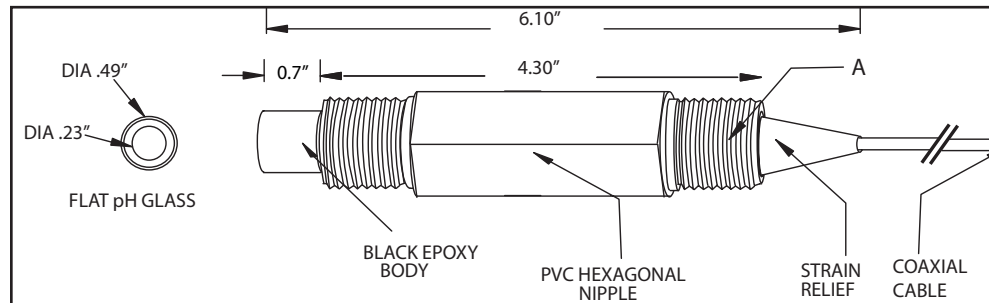
Part No.	Dim.A
S260 Series	1/2" NPT
S261 Series	3/4" NPT

S260C/CD-ORP  
S261C/CD-ORP



Part No.	Dim.A
S260 Series	1/2" NPT
S261 Series	3/4" NPT

S262CD  
S263CD



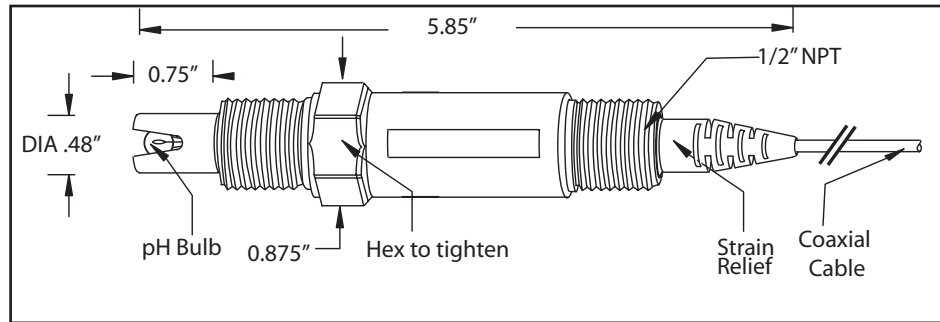
Part No.	Dim.A
SS262CD	1/2" NPT
S263CD	3/4" NPT



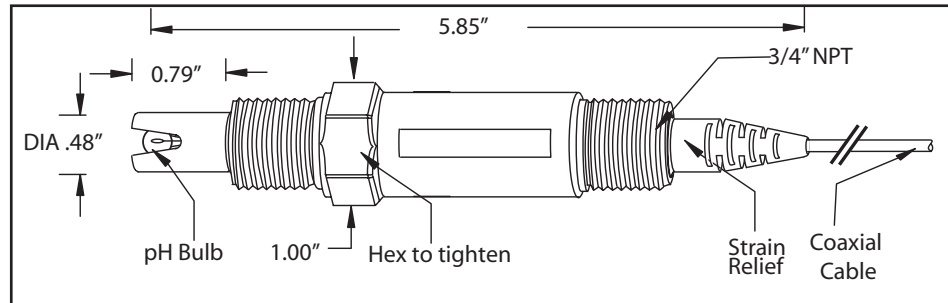
**Sensorex**<sup>®</sup>

**PRODUCT SPECIFICATION SHEET**

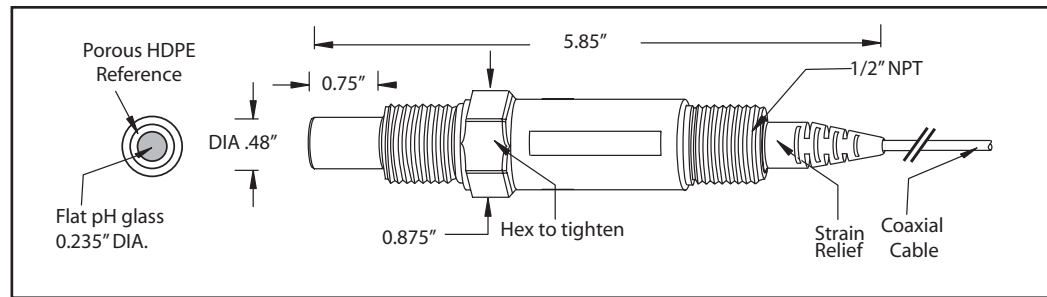
**S265C/CD**



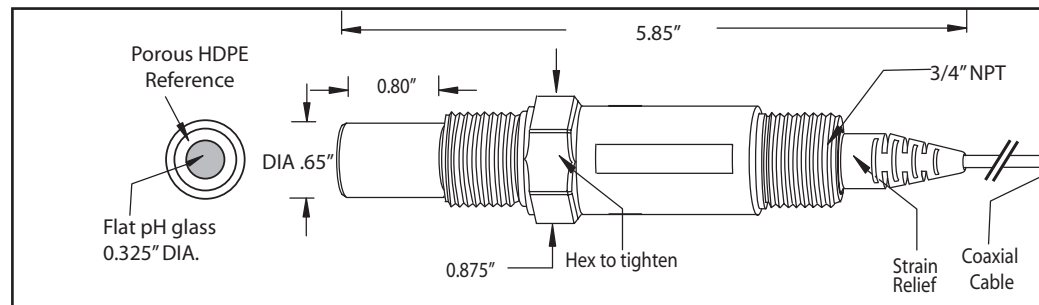
**S267C/CD**



**S268CD**



**S269CD**



**Sensorex**<sup>®</sup>

11751 Markon Dr.  
Garden Grove, CA 92841 USA

Tel: 714-895-4344  
Fax: 714-894-4839  
E-mail: info@sensorex.com  
www.sensorex.com

Parts covered by this product data sheet include: S200C, S200CD, S500C-ORP, S220C, S220CD, S520C-ORP, S520CD-ORP, S260C-S269CD