



Flat-surface, Self-cleaning pH and ORP Electrodes



Quick Disconnect Design Saves Time and Money

Installs in Seconds, No Tools Needed

Flat Surface Design Resists Coating

CPVC Construction

Available with or without ATC Elements

Side stream mountings are particularly useful in applications involving oily coating or moderately viscous materials. This mounting hardware allows the velocity past the electrode to be controlled in a predictable manner. In the 3/4" flow cell, s restricted 1/4" flow channel each GPM of flow provides 2 ft/sec past the flat electrode, s sensing surface. Flow rates of 3 to 5 GPM provide adequate cleaning velocities. Exact control of flow rates is not required.

In viscous material applications the above flow rates may be difficult to achieve; however, lower rates still provide flow in shear to assure that fresh material is at the measuring surface.

Specifications

Range : 0-14pH (0-12pH without Na+ error)
+/- 2000mV for ORP

Body material : CPVC

Max Temperature : 75C/170F = 100 psig
81C/180F = 85 psig
100C/212F = 50 psig

Continuous Temperature
Recommended Maximum:

CPVC electrode models:

S645CD, S645CD-ORP = 160F
970206 (high temp pH) = 212F

Kynar electrode models:

S645KD, S645KD-ORP = 160F
970293 (high temp pH) = 212F

Pressure :0-100 psig (7.5 Bar)

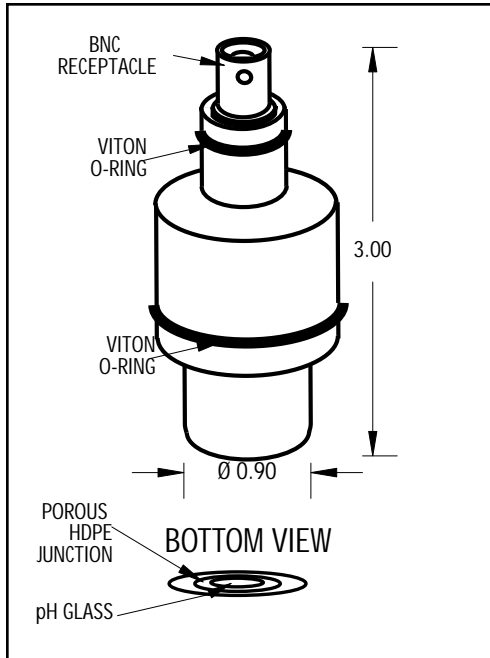
Reference Type :Double Junction



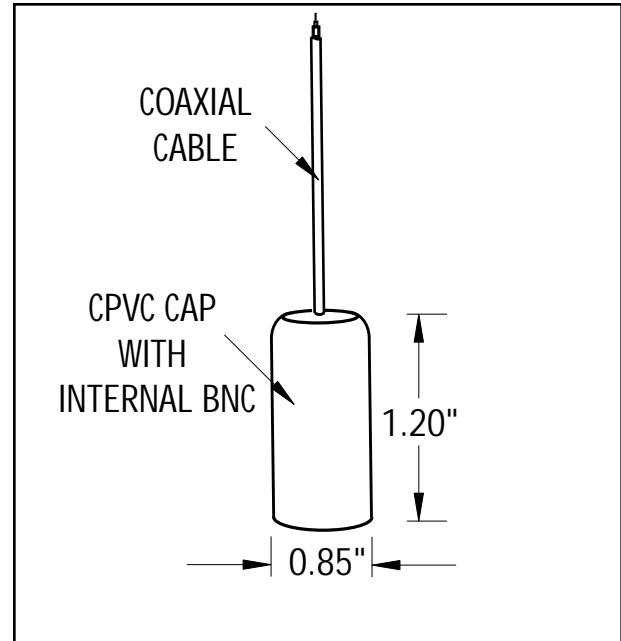
Parts covered by this product data sheet include:
S645CD, 970206, S645CD-ORP, S645KD, S645KD-ORP,
970293



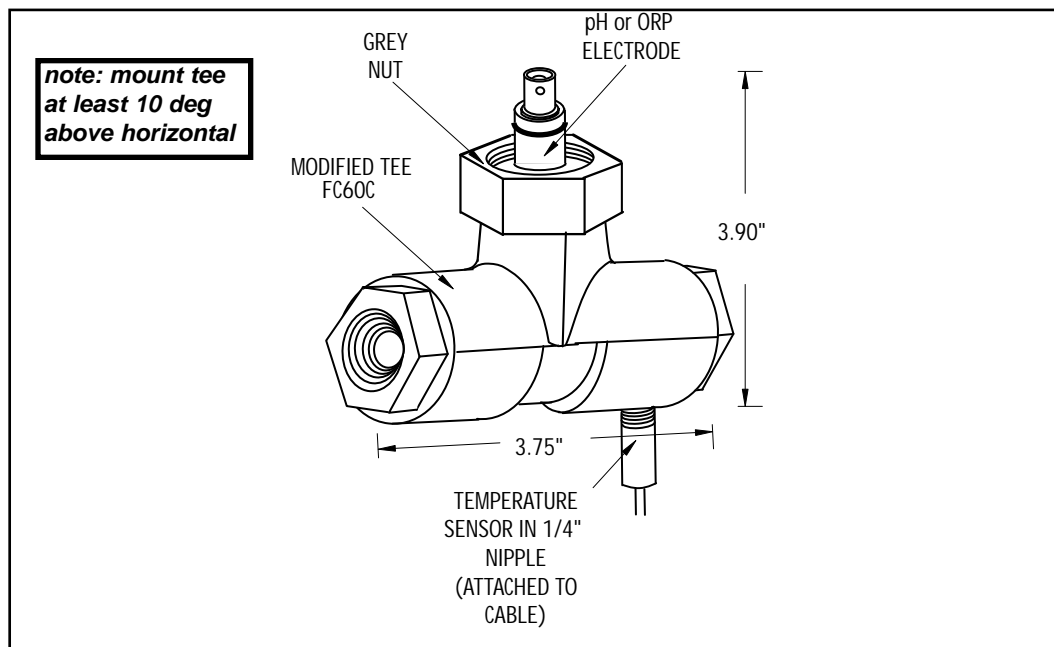
CPVC ELECTRODES



CPVC OR KYNAR CABLE WITHOUT ATC EXPOSED CABLE MOUNTING

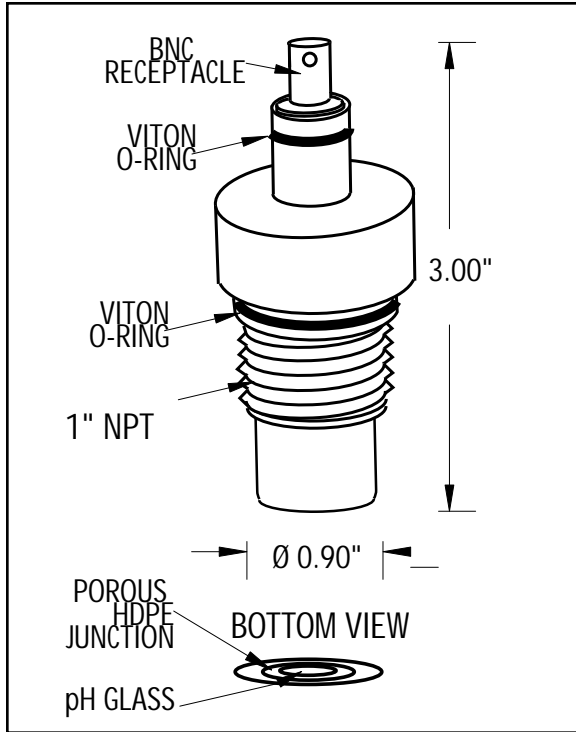


INSTALLATION VIEW OF S645CD/ORP IN FC60C/TC TEE ASSEMBLY

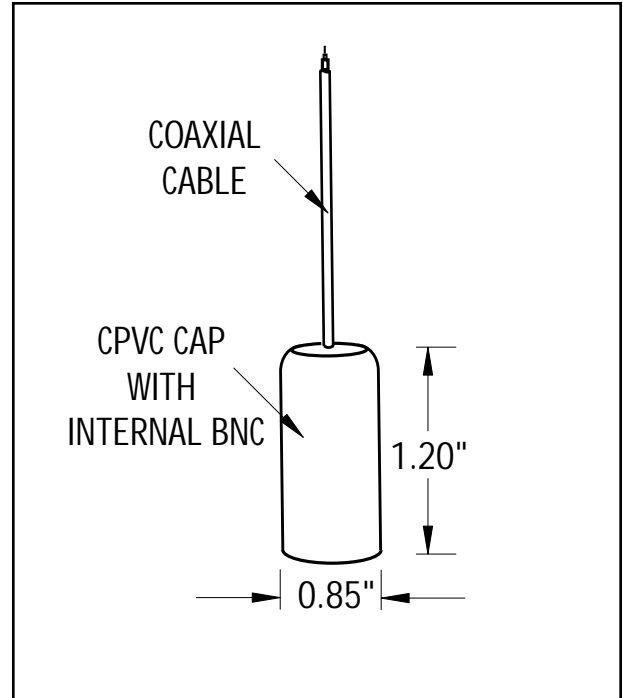




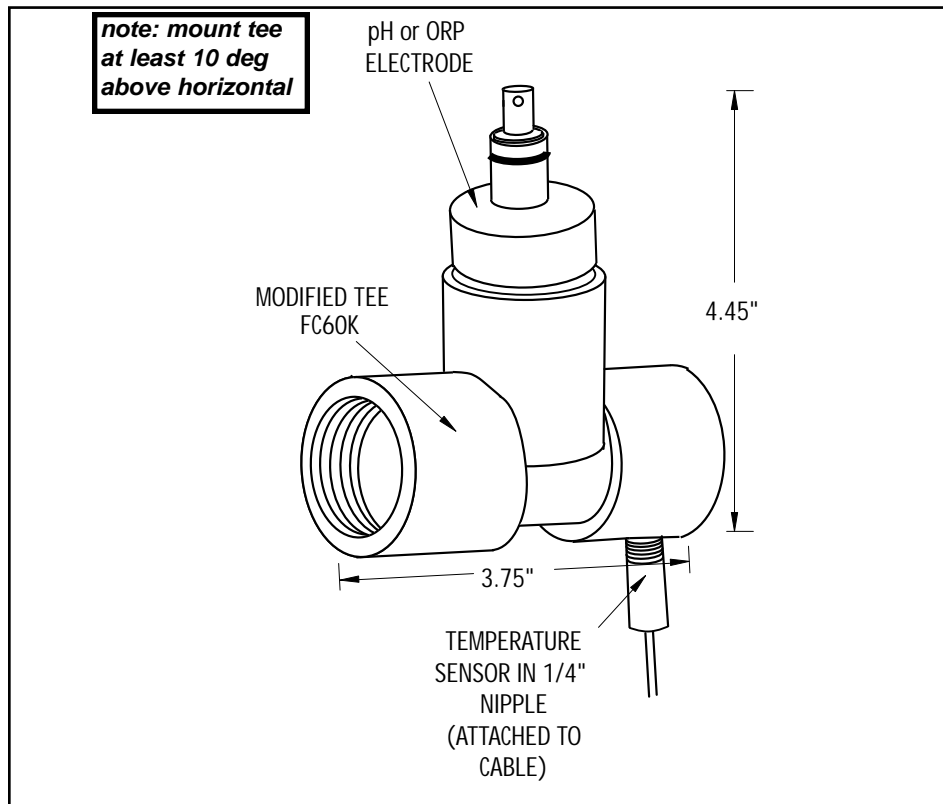
KYNAR(PVDF) ELECTRODES



CPVC OR KYNAR CABLE WITHOUT ATC EXPOSED CABLE MOUNTING



EXPLODED INSTALLATION DRAWING FOR S645KD/ORP IN FC60C/TK TEE





ORDERING INFORMATION

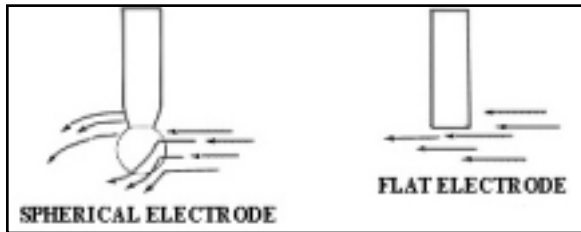
Systems without temperature compensation

ORDER 3 ITEMS	DESCRIPTION	CPVC PARTS	KYNAR (PVDF) PARTS
1. Select one flow cell	Flow cell	FC60C	FC60K
2. Select one electrode	Combination pH electrode	S645CD	S645KD
	pH combination electrode(high temp)	970206	970293
	ORP combination electrode	S645CD-ORP	S645KD-ORP
	ORP combination electrode (high temp)	970386	INQUIRE
3. Select one cable assembly	For conduit use	S653-"cable length"-"connector"	S653K-"cable length"-"connector"
	For exposed cable use	S648-"cable length"-"connector"	S648K-"cable length"-Connector"N/A53K-"cable length"-"connector" S648K-"cable length"-"connector"

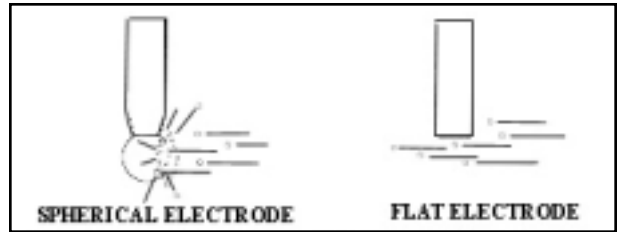
Systems with temperature compensation

ORDER 2 ITEMS	DESCRIPTION	CPVC PARTS	KYNAR (PVDF) PARTS
1. Select one flow cell	Flow cell, cable assembly with ATC pH combination electrode(high temp)	FC60TC-"ATC CODE"-cable length-connectors	FC60TK-"ATC CODE"-cable length-connectors
2. Select one electrode	Combination pH electrode pH combination electrode(high temp)	S645CD 970206	S645KD 970293

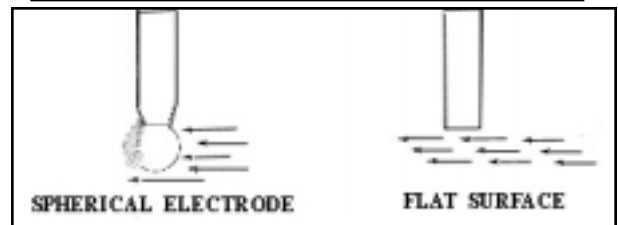
SELF-CLEANING OPERATION



ABRASION-FREE OPERATION



VISCOUS MATERIAL OPERATION



PATHFINDER Instruments
 2075 Corte Del Nogal, Suite X
 Carlsbad, Ca 92009

 PH: 800-284-9698 / 760-438-0890
 FX: 760-438-3953

 WEBSITE: www.pfinst.com
www.pfinst1.com