



Flat-surface, Self-cleaning pH and ORP Electrodes



Quick Disconnect Design Saves Time and Money

Installs in Seconds, No Tools Needed

Flat Surface Design Resists Coating

CPVC or PVDF Models Available

Available with or without ATC Elements

The submersion pH and ORP electrodes from Sensorex are designed for measurements in tanks, flumes and sewer lines. Submersion designs are also well suited for applications with high suspended solids or where flocculation operations require low velocities or in tanks with high agitation.

Where low velocities are present and coating is a problem, the electrode can be mounted at a 45 degree angle facing into the flow so as to obtain increased scrubbing action across the measuring surface.

The cartridge quick disconnect design makes changing electrodes a snap and minimizes down time due to electrode maintenance.

Specifications

Range : 0-14pH (0-12pH without Na+ error)
+/- 2000mV for ORP

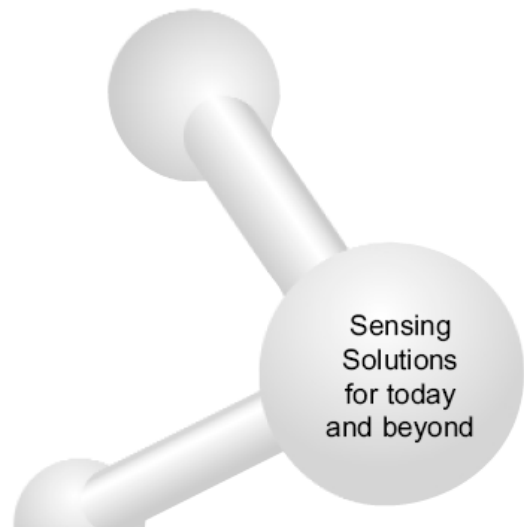
Body material : CPVC or KYNAR

Reference material: HDPE for CPVC, KYNAR FOR KYNAR

Max Temperature :
75C/170F = 100 psig
81C/180F = 85 psig
100C/212F = 50 psig

Pressure :0-100 psig (7.5 Bar)

Reference Type :Double Junction

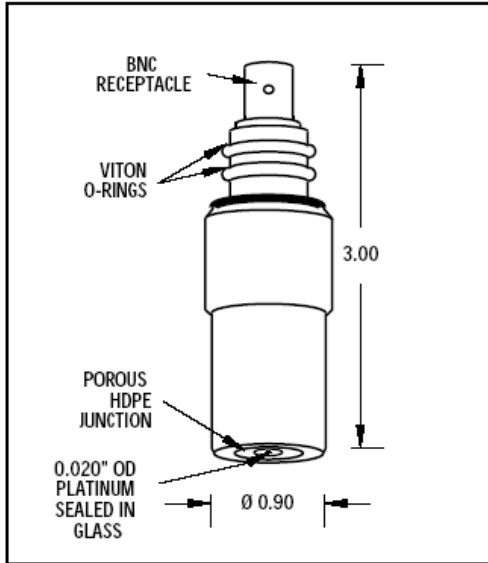


Sensing
Solutions
for today
and beyond

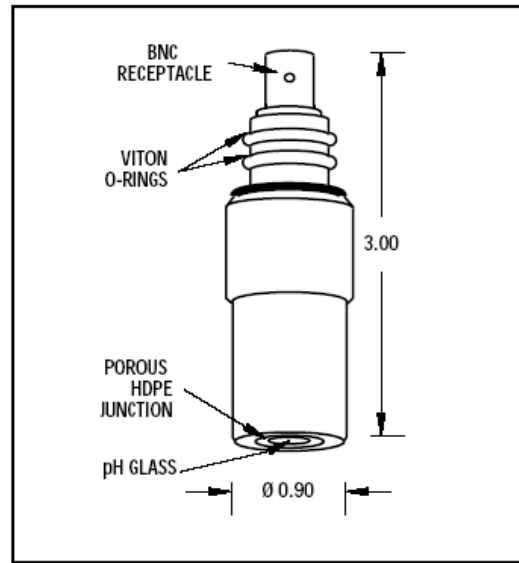


CPVC ELECTRODES

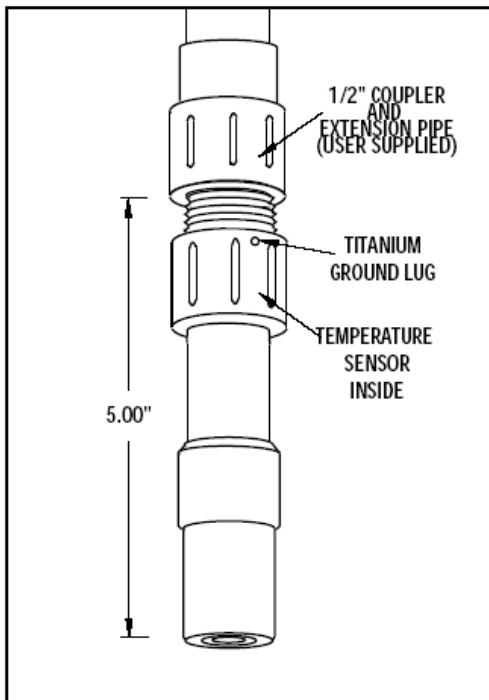
ORP



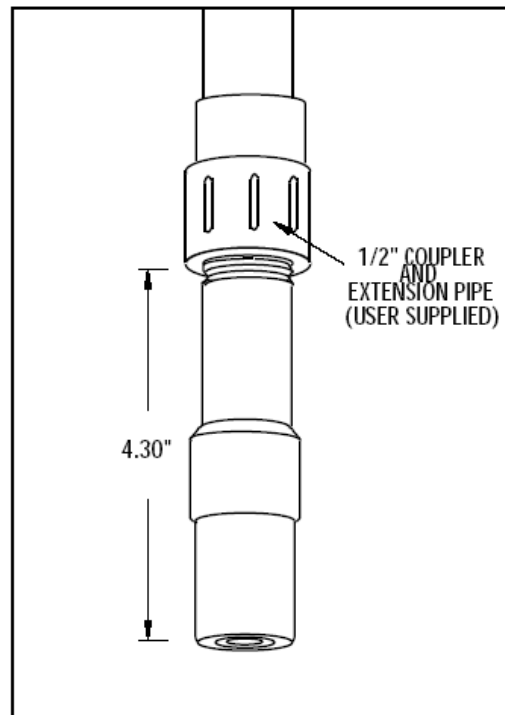
pH



CPVC CABLES WITH ATC



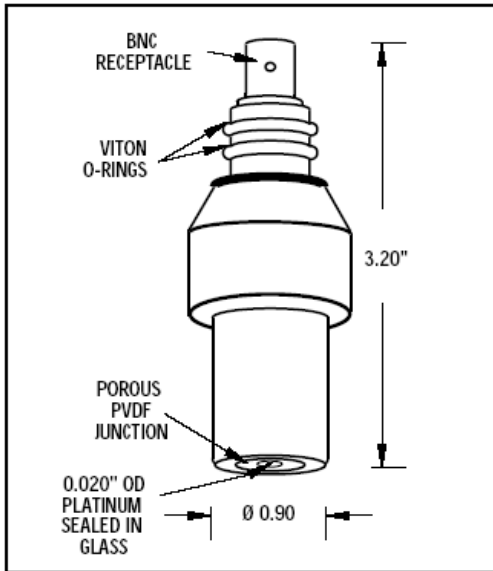
CPVC CABLES WITHOUT ATC



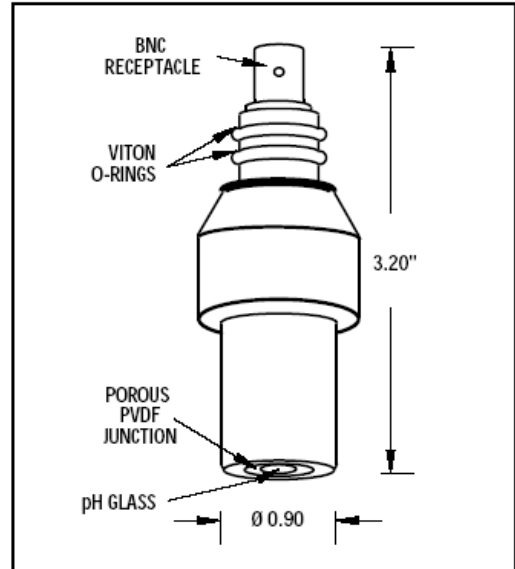


KYNAR(PVDF) ELECTRODES

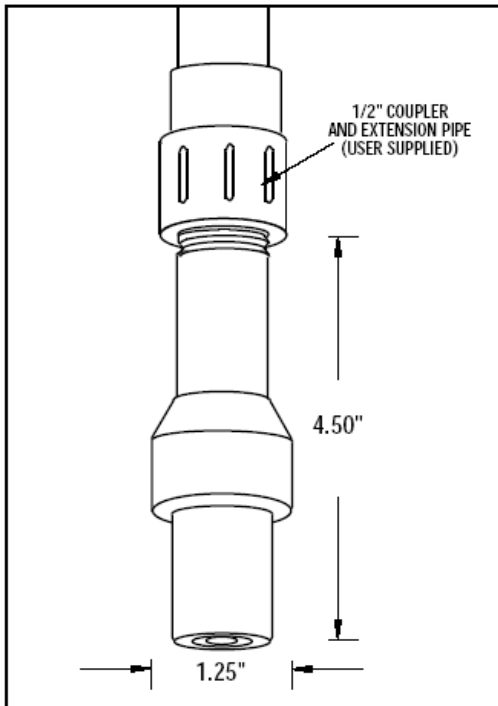
pH



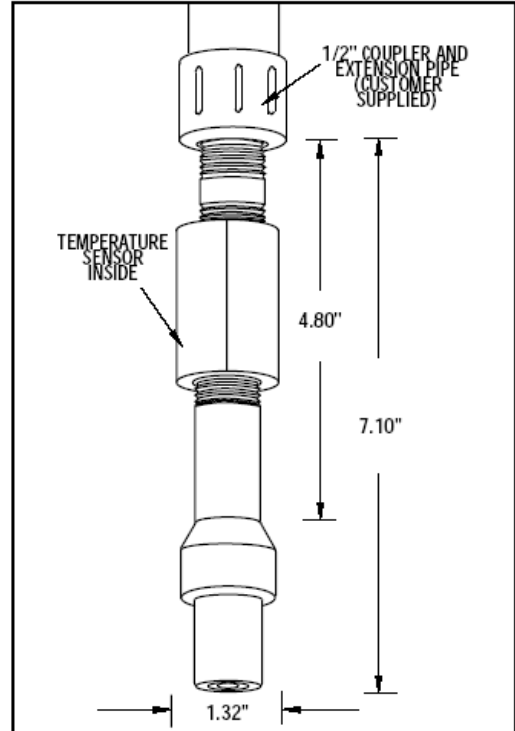
ORP



KYNAR (PVDF) CABLE WITHOUT ATC



KYNAR (PVDF) CABLE WITH ATC





Sensorex[®]

PRODUCT SPECIFICATION SHEET

ORDERING INFORMATION

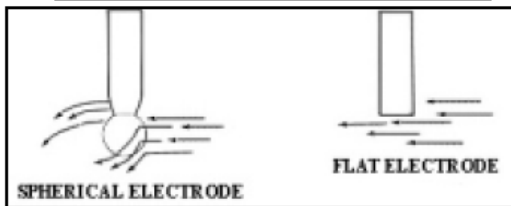
Systems without temperature compensation

ORDER 2 ITEMS	DESCRIPTION	CPVC PARTS	KYNAR (PVDF) PARTS
1. Select one electrode(pH or ORP)	pH combination electrode pH combination electrode(high temp) ORP combination electrode ORP combination electrode (high temp)	S650CD 970211 S650CD-ORP 970212	S650KD 970315 S650KD-ORP ----
2. Select one cable assembly	For conduit use	S653-"cable length"-"Connector"	S653K-"cable length"-"Connector"

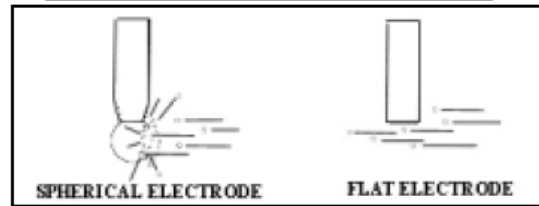
Systems with temperature compensation

ORDER 2 ITEMS	DESCRIPTION	CPVC PARTS	KYNAR (PVDF) PARTS
1. Select one electrode	pH combination electrode pH combination electrode(high temp)	S650CD 970211	S650KD 970315
2. Select one cable assembly	For conduit use for exposed cable use	S653TC -"ATC CODE"-cable length"-"Connectors"	S653TK-"ATC CODE"-cable length"-"Connectors" ----

SELF-CLEANING OPERATION



ABRASION-FREE OPERATION



VISCOUS MATERIAL OPERATION

