



Flat-surface, Self-cleaning pH and ORP Electrodes

Insertion/wet-tap pH and ORP electrodes, assemblies and cables



Quick Disconnect Design Saves Time and Money

Installs in Seconds, No Tools Needed

Flat Surface Design Resists Coating

CPVC or PVDF Construction

Available with or without ATC Elements

The insertion assembly allows pH measurements to be made in pressurized tanks and main lines without the need for system shutdown for electrode maintenance. The assembly's adjustable insertion depth allows it to be placed in a turbulent flow region so that it can operate in the self-cleaning mode.

In abrasive applications, the electrode is best positioned even with the pipe or tank wall. High suspended solids and viscous liquid pH measurements are simple with the insertion assembly and electrode pair. A specially designed internal allows the electrode to be mounted in any direction, including inverted. A 1" full-port ball-valve is recommended for installation.

Specifications

Range : 0-14pH (0-12 pH without Na+ error)
+/- 2000mV for ORP

Body material : CPVC or PVDF

Junction material : ~~HTCPVC~~ PVDF

Max Temperature : 75C/170F = 100 psig =
81C/180F 85 psig = 50
100C/212F psig

Pressure : 0-100 psig (7.5 Bar)

Reference Type : Double Junction

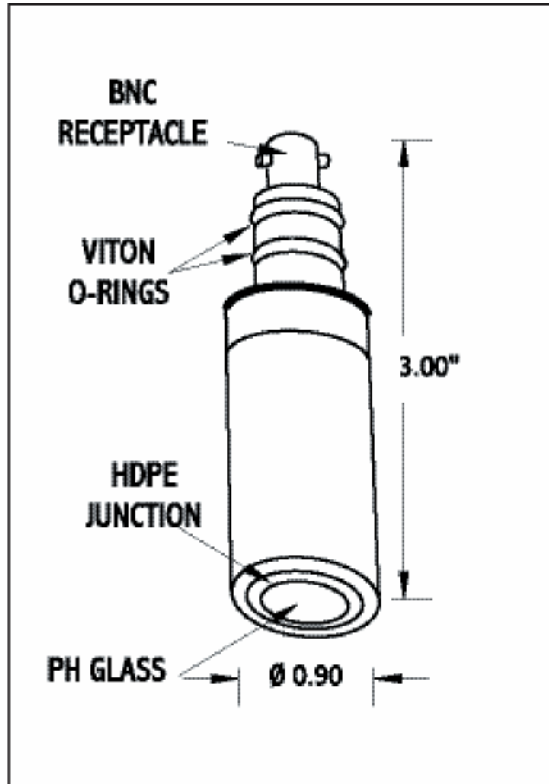
Parts covered by this product data sheet include:
S675, S676, S677, S675TC, S676TC, S677TC, S655CD, S655CD-ORP, S655KD,
S655KD-ORP, 970213, 970214, 970291



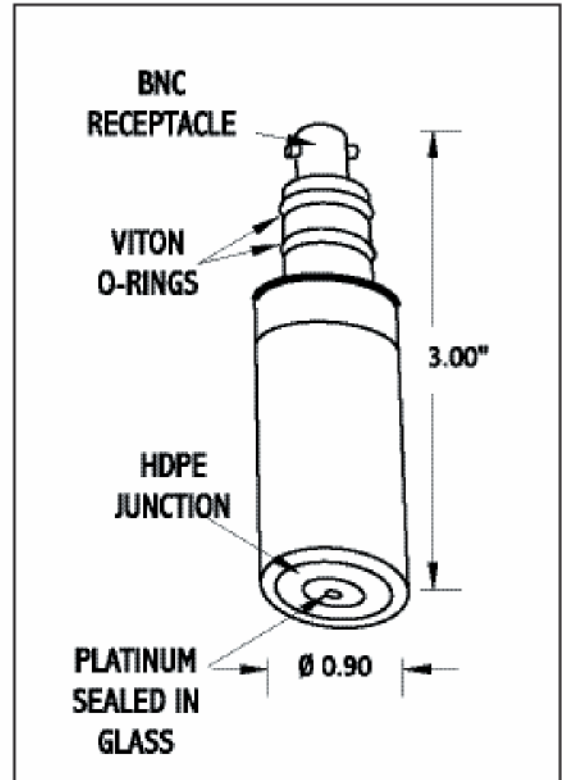
Sensing
Solutions
for today
and beyond

CPVC and KYNAR ELECTRODES

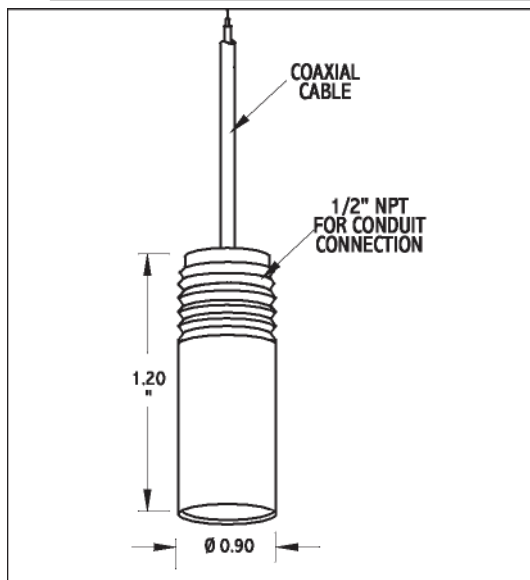
pH



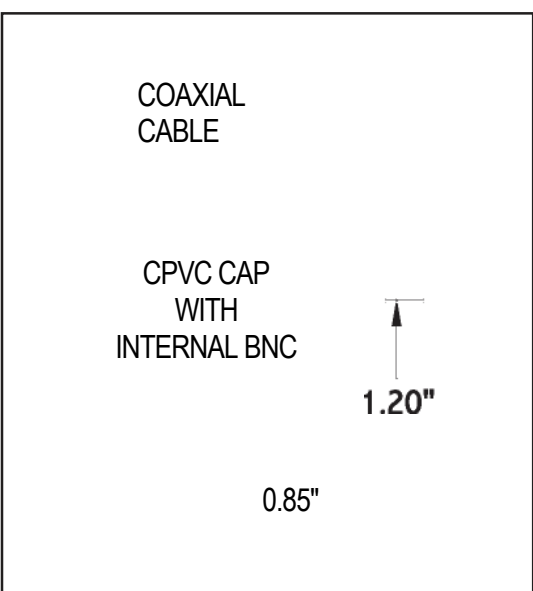
ORP



CPVC and KYNAR CABLES WITH CONDUIT CONNECTION (NO ATC)

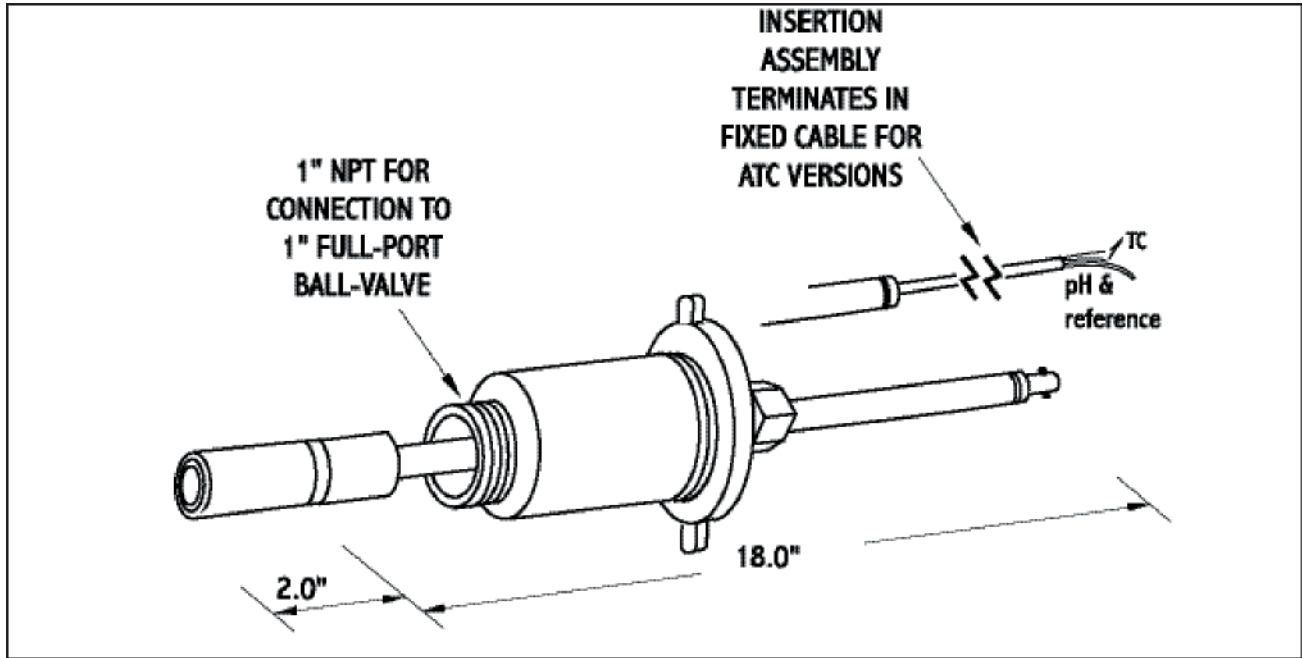


CPVC and KYNAR CABLES EXPOSED CABLE CONNECTION (NO ATC)

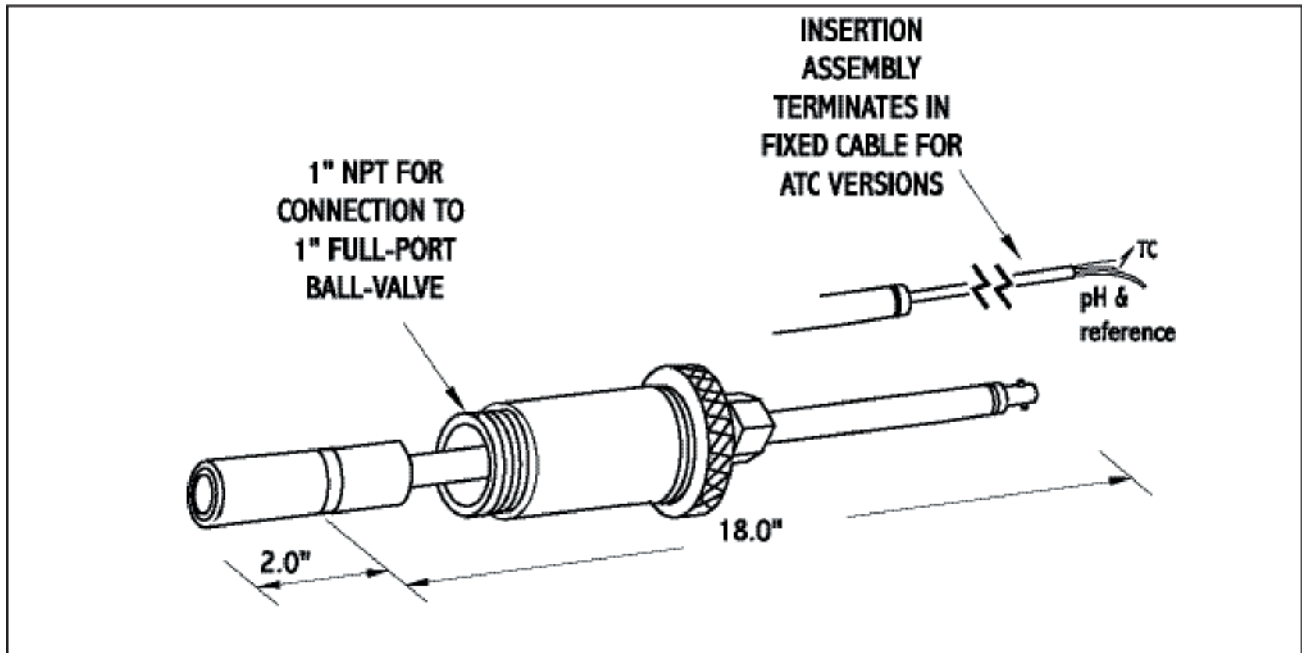




CPVC pH and ORP Insertion Assemblies (With and Without ATC)



PVDF pH and ORP Insertion Assemblies (With and Without ATC)



PRODUCT SPECIFICATION SHEET

ORDERING INFORMATION

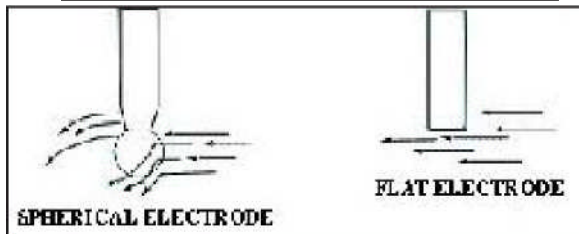
Systems without temperature compensation

ORDER 3 ITEMS	DESCRIPTION	CPVC PARTS	KYNAR (PVDF) PARTS
1. Select one insertion assembly	Insertion assembly 12" depth Insertion assembly 18" depth Insertion assembly 24" depth	S675 S676 S677	S675K N/A N/A
2. Select one electrode (pH or ORP)	pH combination electrode pH combination electrode(high temp) ORP combination electrode ORP combination electrode(high temp)	S655CD 970213 S655CD-ORP N/A	S655KD 970291 S655KD-ORP
3. Select one cable assembly	For conduit use for exposed cable use	S653-"cable length"-"Connector" S648-"cable length"-"Connector"	S653K-"cable length"-"Connector" S648K-"cable length"-"Connector"

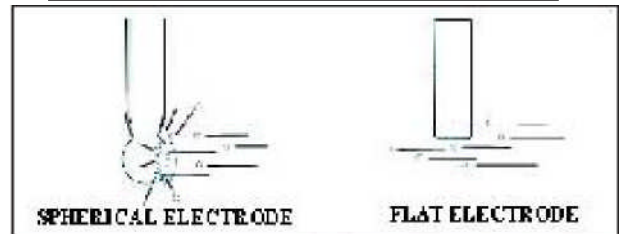
Systems with temperature compensation

ORDER 2 ITEMS	DESCRIPTION	CPVC PARTS	KYNAR (PVDF) PARTS
1. Select one insertion assembly	Insertion assembly 12" depth Insertion assembly 18" depth Insertion assembly 24" depth	S675TC S676TC S677TC	S675TK N/A N/A
2. Select one electrode (pH or ORP)	pH combination electrode pH combination electrode(high temp) ORP combination electrode ORP combination electrode(high temp)	S655CD 970213 S655CD-ORP N/A	S655KD 970291 S655KD-ORP N/A

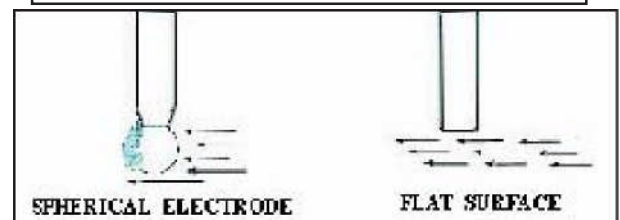
SELF-CLEANING OPERATION



ABRASION-FREE OPERATION



VISCOUS MATERIAL OPERATION



PATHFINDER INSTRUMENTS

2075 Corte Del Nogal, Suite X
Carlsbad, Ca 92009

Ph: 800-284-9698 or 760-438-0890

Fax: 760-438-3953

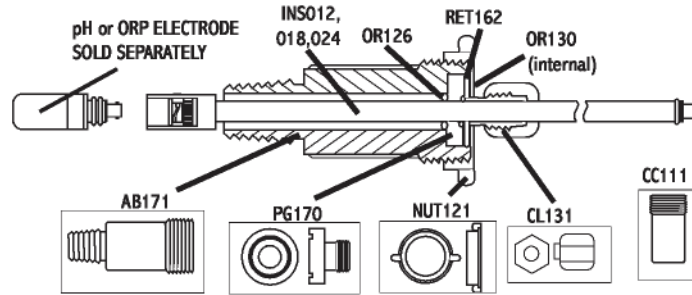
Websites: www.pfinst.com

www.pfinst1.com

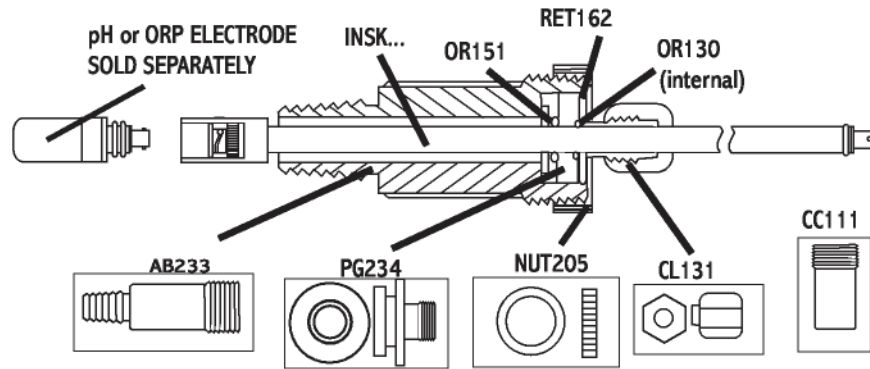


ORDERING INFORMATION - REPLACEMENT PARTS

**S675 INSERTION ASSEMBLY CUT AWAY VIEW
SHOWING REPLACEMENT PARTS**



**KYNAR INSERTION ASSEMBLY CUT AWAY
VIEWS SHOWING REPLACEMENT PARTS**



DESCRIPTION	PVC PARTS	KYNAR (PVDF) PARTS
Insertion tube 12" depth (18" length)*	INS012	INS012K
Insertion tube 18" depth (24" length)**	INS018	INS018K
Insertion tube 24" depth (30" length)***	INS024	INS024K
Insertion tube 12" depth*, with ATC	INS012TC	INS012TK
Insertion tube 18" depth**, with ATC	INS018TC	INS018TK
Insertion tube 24" depth***, with ATC	INS024TC	INS024TK
Packing gland sliding seal, o-ring	OR130	OR130
Packing gland	PG170	PG234
Adapter Body	AB171	AB233
Retainer Nut	NUT121	NUT205
O-ring face seal (Large ring on PG170 and PG234)	OR126	OR131
Compression Nut and Ferrule	CL131	CL131
Steel Retainer Ring	RET162	RET162
Cable connection (1/2" NPT)	CC111	CC111

