

Blue-White[®]
Industries, Ltd.

FLEXFLO[®]



MODEL A-1600

Peristaltic Injection Pump
Operating Manual

Thank You for purchasing the A-1600 Peristaltic Injector Pump. It is our policy to Produce, market and provide service on our products to ensure your safety and complete satisfaction. When installed and used in accordance with the following instructions, the A-1 600 will provide years of safe, reliable service.

For your safety the A-1 600 was designed to be safe and easy to use. However, there are limits to its operation. This instruction manual contains safety precautions, which if ignored could result in personal injury and/or property damage.

Read these instructions carefully **before** installing the injector. If you are not satisfied that the unit can be safely operated, call the place of purchase for assistance.

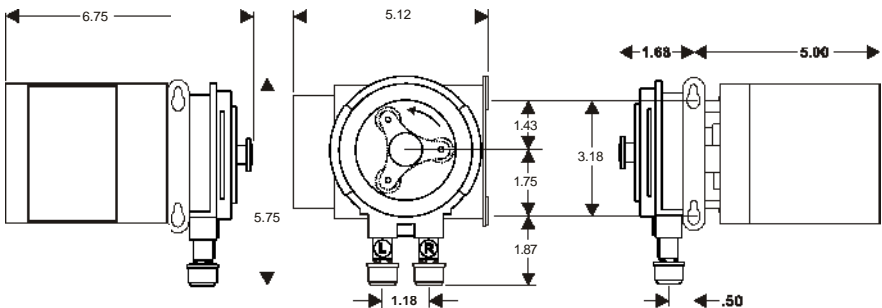
Thank You
Blue White Industries
 (714)893-8529.

LEAVE THIS INSTRUCTION MANUAL WITH INSTALLED METER!

***** **SPECIFICATIONS** *****

MODEL NO:	MAXIMUM P.S.I	MAXIMUM FEED RATE			
		ML/MIN	OZ/MIN	G.P.H	G.P.D
A-1614-3N	25	3	.1	.04	1
A-1614-4	25	17	.5	.26	6
A-1614-6	25	60	2.0	.95	22
A-1614-7	25	75	2.5	1.18	28
A-1630-3N	25	11	.3	.17	4
A-1630-4	25	40	1.3	.63	15
A-1630-6	25	130	4.4	2.05	49
A-1630-7	25	195	6.5	3.08	74
A-1645-3n	25	14	.4	.22	5
A-1645-4	25	54	1.8	.85	20
A-1645-6	25	195	6.5	3.08	74
A-1645-7	25	295	9.9	4.67	112

NOTE:-N Norprene tubing same feed rate as tygon



INSTALLATION INSTRUCTIONS

1. UNPACKING

Your Flexflo package includes one injector pump, 10ft. Of clear vinyl tubing, threadless injector fitting, combinations foot valve/strainer, flow indicator, foot valve weight, two pump tube assemblies and mounting hardware.

On receipt, immediately inspect the contents of the shipping carton. Notify the shipping carrier if there are any signs of damage.

2. LOCATION AND MOUNTING

CAUTION

ALWAYS WEAR EYE PROTECTION AND PROTECTIVE CLOTHING WHEN WORKING AROUND CORROSIVE MATERIAL.

A. Choosing a well ventilated area located near the supply tank, Electrical supply and injection points.

B. The injector may be shelf or wall mounted. Use the inclosed hardware for wall mounting.

C. When using wall corrosive chemicals, avoid mounting the injector directly above the supply tank. Although the pump housing is designed to withstand corrosion, some chemical fumes may damage the unit.

D. Your solution tank should be sturdy plastic and chemically resistant to the chemicals you are using to protect from fume, a tight fitting cover should be in place at all times. A variety of tanks are available from the factory.

3. ELECTRICAL CONNECTIONS

WARNING - RISK OF ELECTRIC SHOCK

Be certain you connect the unit to the proper supply voltage. Using the incorrect voltage will damage the injector and may result in injury. The units voltage requirements is printed on the name plate.

A-1600 MODELS

A-1600 Model Injector are supplied with a junction box and cover. To reduce the risk of electric shock when field wiring, be certain that the grounding conductor is attached to the green ground screw, located inside the junction box.

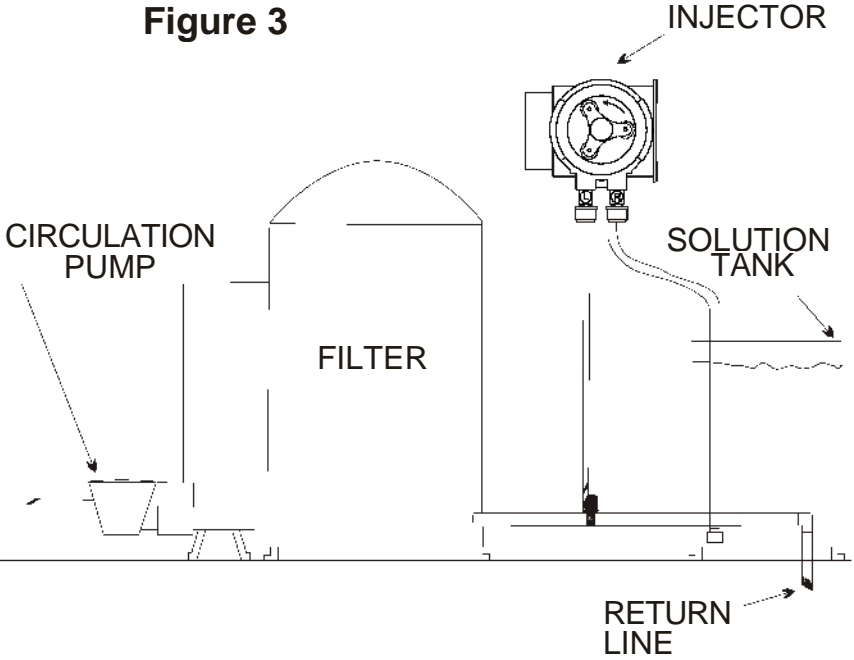
A-1600T MODELS (Timer Equipped Model)

115V Model Injector are supplied with a ground wire conductor and a grounding type attachment plug. To reduce the risk of electric shock, be certain that it is connected only to the properly grounded, grounding type receptacle. A ground fault interrupter (GFI) receptacle is recommended for use in wet locations.

24V/230V Models Injectors are supplied with a ground wire conductor. To reduce the risk of electric shock, be certain that the green grounding conductor is connected only to a properly grounded field wiring box.

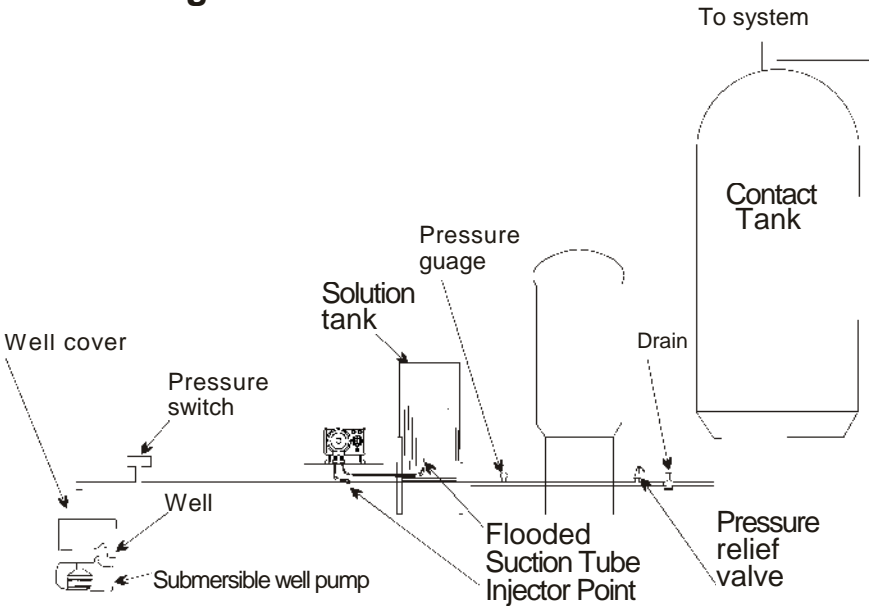
SWIMMING POOLS

Figure 3

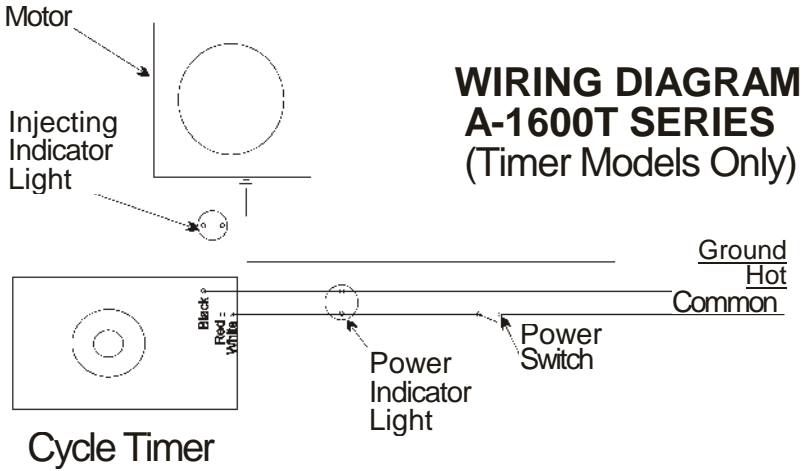


WATER WELLS

Figure 4



WIRING DIAGRAM Figure 5



A- 1600 SERIES WIRING COLOR CODES Figure 6

*****MOTOR*****

VOLTAGE	HOT	COMMON	GROUND
115v	Black or Yellow	Blue	Green
230v	Black or Yellow	Red	Green
24v	Blue	White	Green

***** CIRCUIT BOARD*****

(TIMER MODELS ONLY)

HOT (Load and Input)	COMMON (Input)	LOAD (Load)
Black	White	Red

OPERATING INSTRUCTIONS

1. ATTACH THE TUBING AND FITTINGS

CAUTION: Be sure your installation does not constitute a cross Connection. Check your local plumbing codes.

- A. Install the pump tube assembly into the pump head. (Fig.7)
- B. Install the threadless injector (T.I. Fitting), or optional threaded anti-siphon valve. (Fig.8 or 10)
- C. Connect the flow indicator side of the suction tubing to the pump fitting marked "R". The flow indicator must be installed in a vertical position.
- D. Trim the other end of the suction tubing so the foot valve assembly will rest 2 inches from the bottom of the solution tank. This is to prevent sediment from clogging the strainer.
- E. Slide the ceramic weight over the suction tubing and attach the foot valve assembly.
- F. Connect the remaining tubing to the pump tube marked "L". Trim the other end of the tubing leaving only enough slack to connect it to the injector fitting. **NOTE:** for best results, the discharged tubing should be installed in a continual up slope.

2. PRIMING

CAUTION - THE USE OF PROTECTIVE CLOTHING AND GOGGLES IS RECOMMENDED.

- A. To aid in priming and to reduce vapor lock, hold the discharge tubing in a continual upward slope **AWAY FROM YOUR FACE AND BODY**, and above the injector.
- B. Turn the percentage timer to ON or MAX. (Timer Models)
- C. Turn on the injector.
- D. When the fluid nears the injection end of the tubing, turn OFF the injector and attach the tube to the T.I. Fitting. (Threadless Injector).
- E. Check all connections for leaks.

DO NOT OVER TIGHTEN!

OPERATING INSTRUCTIONS (Con't)

3. ADJUSTING THE OUTPUT

- A. The pause control knob adjusts the cycle timer's time on. The model A-1600T standard cycle timer set at one minute. (+-10%) Other cycle lengths are available.
- B. To adjust the amount of time on, turn the pause control knob to the correct setting. 1/2 equals approximately 30 seconds on. 3/4 equals approximately 45 seconds on, etc.

4. MEASURING THE OUTPUT

This volumetric test will take into account installation factors such as line pressures, fluid viscosity, specific gravity, etc. This test is the most accurate for measuring the injector's output individual installation.

- A. With the injector installed under normal operating conditions, place the foot valve/ strainer in a large graduated container.
- B. Fill the container with the chemical to be injected and run the unit until all air is removed from the suction line.
- C. Refill the container if necessary, and with the foot valve in the solution, note the amount of chemical in the container.
- D. Run the injector for a measured amount of time and note the amount of chemical injected. The longer the testing time, the more accurate the measurement.

MAINTENANCE PROCEDURES

1. ROUTINE MAINTENANCE

- A. The A-1600 injector is designed to require very little maintenance. However, inspections should be performed regularly. An **inspection log** should be kept to note any changes in performance. This is particularly important when injecting fluids other than water.

When injecting water only inspect the injector **once every month** for signs of leaks, cracks, crazing (shattered look), corrosion or discoloration of the pump head and tubing. Note all changes in the log.

When injecting fluids other than water, inspect the injector at least **once every day** for the first week of operation, inspect **once every week** thereafter. Look for evidence of chemical attack in the pumphead, O-ring, tubing and accessory valves and fittings. Inspect all parts for leaks, swelling, cracking, crazing, corrosion, or discoloration. Also inspect the tubing for elasticity. Note all changes in log.

- B. Cracking, crazing, discoloration, etc., During the first week of operation, are signs of severe chemical attack. If this occurs, immediately remove the injector from the fluid. Determine which parts are being attacked and replace with parts that have been manufactured using a more suitable material. Contact the place of purchase if you need assistance.

- C. The A-1600 injector is designed to perform in a variety of installations.

However, the service life of **each part** in the injector will vary depending on many factors such as fluid, temperature, pressure, etc. Because of the wide variety of installations, the A-1 600 has been factory tested for pressure and performance using water only.* **Do not** use chemical other than water unless you are satisfied they are compatible with the injectors construction. Contact the place of purchase if you need assistance.

*NOTE: NSF international has tested the A-1600T injector using two different fluids, 12 1/2% Sodium Hypochlorite and has found that the A-1600T conforms to the requirements of NSF Standard 50.

2. THE PUMP TUBE ASSEMBLY

A. The A-1600 Pump Tube Assemblies are designed for a service life of at least 800 hours. However, the service life can be adversely affected by the chemicals used, the amount of back pressure, the motor RPM, and temperature. The service life of 800 hours is based on the A-002-6 tube tested with water at 70F. (21C), 0PSI, 45 RPM gearbox.

B. The pump tube assembly should be inspected frequently. Replace the tube if any cracking, leaking or loss of feed rate occurs.

NOTE: Place 1 or 2 drops of silicone oil on each roller to lubricate new pump tubes or when required.

3. CLEANING

A. The most common problems occur from deposits that can build up in the foot valve, injection fitting and pump tube assembly, (wetted parts. Keeping these parts clean will dramatically increase the life of the injector.

B. For simple maintenance cleaning, remove the injection fitting and footvalve / strainer. Disassemble and clean the individual parts with clean water. (Fig. 8 or 9) With these fittings removed, set the pause control to ON and run the injector using clean water.

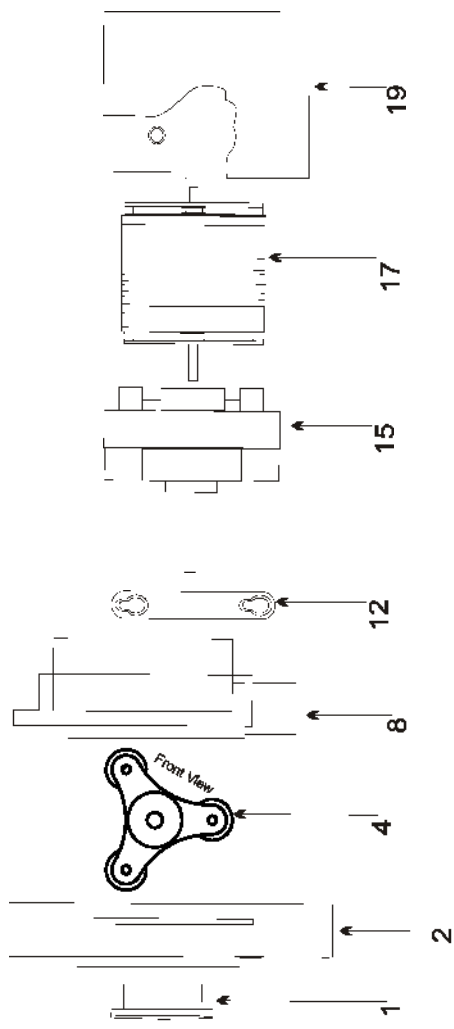
C. For removing harsh deposits that can build in the wetted parts

1. Flush the system by pumping clean water to remove any chemicals that may be present.
2. Run a weak solutions of muriatic acid (5%) through the wetted parts.
3. Again flush the system with clean water.

CAUTION

MURIATIC ACID WHEN MIXED WITH OTHER CHEMICALS CAN BE EXTREMELY DANGEROUS. ALWAYS FLUSH THE SYSTEM WITH CLEAN WATER BEFORE AND AFTER YOU ACID WASH.

D. When changing the pump tube assemble, always wipe the pumphead to remove any debris. Clean with soap and water if necessary.



A- 1600 PARTS LIST

1. A-011	Pumphead Cover Retaining Knob	19. C-608P	Motor Housing
2. A-001	Pumphead Cover	20. C-628	Screw 6-32x2-3/4 Phill RD
3. A-002-3N	Pump Tube Assy. 3/16" OD Norprene	24. C-308J	Junction box assembly
A-002-4	Pump Tube Assy. 1/4" OD Tygon	25. C-330-4	Tube Nut 1/4" OD Tubing
A-002-4n	Pump Tube Assy. 1/4" OD Norprene	C-330-6	Tube Nut 3/8" OD Tubing
A-002-6	Pump Tube Assy. 3/8" OD Tygon	26. C-334-4-10	Tubing 1/4" OD x 10'
A-002-6n	Pump Tube Assy. 3/8" OD Norprene	C-334-6-10	Tubing 3/8" OD x 10'
A-002-7	Pump Tube Assy. 7/16" OD Tygon	27. T140-4V	T.I. Fitting 1/4" OD Tube Viton W/ Clamp
A-002-7N	Pump Tube Assy. 7/16" OD Norprene	T140-6V	T.I. Fitting 3/8" OD Tube Viton W/ Clamp
4. A-003	Roller Assy. 3 Lobe	28. CF-3040	Clamp Fits 1" Thru 2-1/2" Pipe
A-003-1	Roller Assy. 2 Lube	29. C-346	Ceramic Foot Valve Weight
5. A-004	Pumphead Mounting screw 10-32 x 3/4"	30. C-340-4V	Foot Valve/Strainer 1/4" OD Viton
6. A-031	Pumphead Spacer	C-340-6V	Foot valve/Strainer 3/8" OD Viton
7. 2-010E	Motor Shaft Seal	31. A-023-B	Electronic Timer Assy. 1 Min. 115v
8. A-005	Pumphead	A-023-C	Electronic Timer Assy. 1 Min. 230v
9. A-006	Motor Mount Screw 10-32 x 1/2	A-023-D	Electronic Timer Assy. 1 Min. 24v
12. C-302	Motor Mount	A-023-E	Electronic Timer Assy. 2 Min. 220v
14. C-649	Bushing .50-20x.31Alum. Hex	A-023F	Electronic Timer Assy. 6 Sec. 115v
15. A-008-1	Gear Box Assembly 14 RPM	A-023-G	Electronic Timer Assy. 6 Sec. 230v
A-008-2	Gear Box Assembly 30 RPM		
A-008-3	Gear Box Assembly 45 RPM		
17. A-149-1	Motor Assy. 24v/60HZ For 14 RPM		
A-309-1	Motor Assy. 24v/60HZ For 30 & 45 RPM		
A-149-2	Motor Assy. 115v/60HZ for 14 RPM		
A-309-2	Motor Assy. 115v/60HZ for 30 & 45 RPM		
A-149-4	Motor Assy. 220v/50HZ for 14 RPM		
A-309-4	Motor Assy. 220v/50HZ for 30 & 45 RPM		
A-149-3	Motor Assy. 230v/60HZ for 14 RPM		
A-309-3	Motor Assy. 230v/60HZ for 30 & 45 RPM		

**CONTACT LOCAL AUTHORIZED REPAIR CENTER
FOR PARTS AND SERVICE**

NOTES

TROUBLE SHOOTING GUIDE

SYMPTOM	POSSIBLE	CORRECTIVE
Tube wears out to fast	<ol style="list-style-type: none"> 1. High back pressure 2. Temp. above 105° F 3. Clogged injection fitting 	<ol style="list-style-type: none"> 1. MAX PSI = 25 2. Do not install near a heat source 3. Clean fittings
Injector runs noisy	<ol style="list-style-type: none"> 1. Normal with 14 RPM 2. Worn motor bearing 	<ol style="list-style-type: none"> 1. None 2. Replace bearing
Injector runs hot	<ol style="list-style-type: none"> 1. Normal heat rise is approx. 70° F 	<ol style="list-style-type: none"> 1. Do not install bear a heat source
Solution tank is filling instead of emptying	<ol style="list-style-type: none"> 1. Suction & Discharge tubing is reversed 2. Rollers worn far beyond standard tolerance 	<ol style="list-style-type: none"> 1. Connect suction tube to fitting marked "R" and Discharge to "L" 2. Replace Roller Assembly
Swollen O-Rings	<ol style="list-style-type: none"> 1. O-Ring material is not compatible with chemical being used. 2. System was not flushed properly 	<ol style="list-style-type: none"> 1. Replace with compatible O-Rings 2. See page #8 Section 3 C
Cycle Timer is erratic or run constantly	<ol style="list-style-type: none"> 1. Spikes or surges in electricity caused by "ORP" or "PH" controllers 2. Surge protector has been overlooked 	<ol style="list-style-type: none"> 1. Consult controller manufacturer 2. Replace timer board
Pressure is below 25 PSI but chemical is not injecting	<ol style="list-style-type: none"> 1. Tube assembly is worn 2. Roller Assembly is worn 3. Injection fitting or foot / valve assembly is clogged 4. Discharge tubing is to long creating added back pressure (especially with high viscosity chemicals) 	<ol style="list-style-type: none"> 1. Replace tube assy 2. Replace roller 3. Clean fittings 4. Install injector as close to injection point as possible Trim Discharge tubing

LIMITED WARRANTY

Your new pump is a quality product and is warranted to be free of defects as set down in this policy. All parts, including rubberized goods and labor are covered under warranty for 90 days from date of purchase. Used peristaltic tubes are not warranted. Parts (excluding rubberized goods and labor) are covered for a period of 12 months from date of purchase. Warranty coverage does not include damage to the pump that results from misuse, carelessness, abuse, or alteration. Only the repair or replacement of the pump is covered. The manufacturer does not assume responsibility for any other loss of damage. Warranty status is determined by the pumps serial number. The serial number label must be on the pump to obtain warranty coverage. Enclose your invoice or sales receipt, with date of purchase, when you return the pump for warranty repair. Warranty status will be verified by the factory or authorized service center.

Also: Please be advised, injections and metering devices are not intended as a means of treating water to render it suitable for human consumption. When used as hypochlorinators, they are meant to destroy bacteria and algae contamination, before it's removal by filtration. Acid and soda injectors are used for pH control (balance). The injectors are factory tested with water only for pressure and performance. Installers and operators of these devices must be well informed and aware of the precautions to be taken when injecting various chemicals, especially those considered hazardous or dangerous. Should it be necessary to return an injector for repair or service, you must attach information regarding the chemical used as some residue may be present within the unit and could be hazard to service personnel. The manufacturer will not be liable for any damage that may result by the use of chemicals and injectors and its components. Thank you.

PROCEDURE FOR IN-WARRANTY REPAIR

Carefully, pack the pump to be repaired, included the foot valve and injection fitting. Enclose a brief description or the problem, as well as original invoice or sales receipt showing date of purchase. The receipt will be returned with the unit. Prepay all shipping costs. COD shipments will not be accepted. Warranty repair service must be preformed by the factory, or an authorized service center. Damage caused by improper packaging is the responsibility of the sender.