

# TX100 pH/mV Loop-Powered Transmitter



Voltage isolated (500 V) 4-20mA Output

Non-volatile memory retains all stored configurations and calibration data

Output Current Indicator for Out-of-Range and Hold Conditions prevents discrepant readings

Large segmented display indicates pH or mV and Temperature simultaneously

Flashing screen Icons indicate mode of operation

Programmable Probe Clean reminder flashes when it is time to clean probe (programmable from 1 to 250 days)

The TX100 pH/mV transmitter is a loop-powered 4-20mA transmitter with a wide range of useful features and programmable options. 5 buffer choices are available in 2-point calibration mode. The 4-20mA output is scaleable in pH or mV units and has 500V input to output isolation. Temperature is always displayed and is selectable in degrees C or deg F. All stored parameters and calibration data are retained in the non-volatile memory during transmitter power down or power loss. A useful probe clean reminder icon flashes when it is time to clean the probe. Probe cleaning interval is user programmable from 1 to 250 days. The TX100 can be used for wall mounting, panel mounting, pipe mounting and DIN-rail mounting. All mounting hardware is included including cable grips for inlet/outlet to box. The case meets Nema and IP ratings for water resistance.

## TX100 SPECIFICATIONS

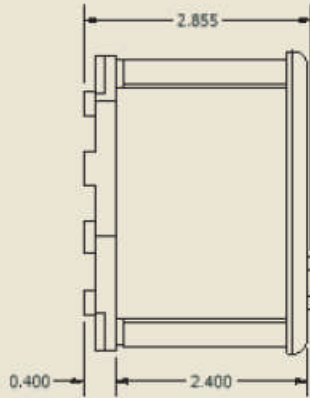
Measuring Range (pH)	0.00 to 14.00pH, 0.01 pH resolution, +/- 0.01 accuracy
Measuring Range (ORP/mV)	-1000mV to 1000mV, 1mV resolution, +/- 2mV accuracy
Temperature Range	-20 degC to 110 degC / -4 degF to 230 degF, 0.1 degC/F resolution
Current Output Range	2.00mA to 24mA, .01mA Resolution, +/-0.005mA accuracy, 500V input/output isolation
Enclosure	NEMA 1,4,4X,6, 12, 13 IP68, ABS case with push-button control pad HWD: 3.9" (99.1 mm) x 3.9" (99.1 mm) x 2.9" (74.7mm)
Weight	approx. 1lb (.45kg)
Mounting Options	Wall, Panel, Din rail and pipe.
Conduit Openings	2 each 3/8" NPT openings (cordgrips included)
Ambient Temperature	Transmitter Service, 0 degC to 60degC / 32 degF to 140 degF
Ambient Humidity	0 to 95%, non-condensing
Location	Designed for non-hazardous areas
Temperature Input	2-wire Pt1000 RTD with automatic compensation
Max. Sensor-to-Transmitter Distance	30 feet (9.1 meters)
Power	12-24 VDC, max 600Ohm load resistance



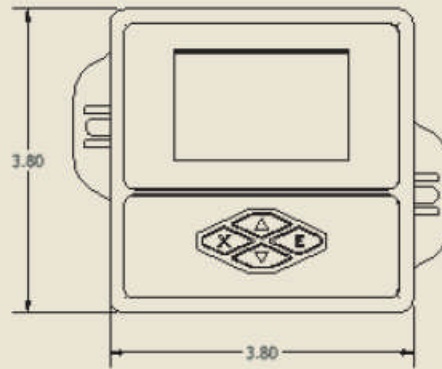
PRODUCT SPECIFICATION SHEET

TX100 pH/mV Loop-Powered Transmitter

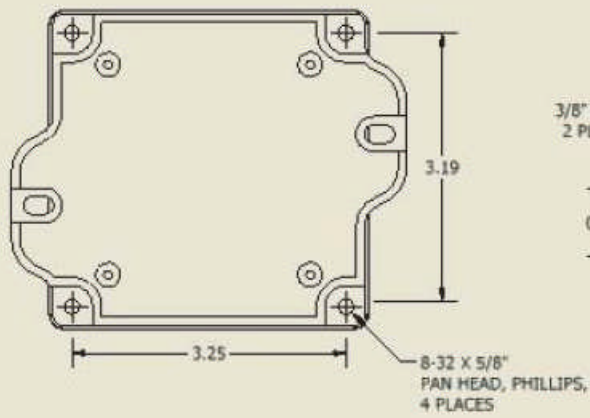
SIDE VIEW



FRONT VIEW



BACK VIEW



BOTTOM VIEW

